



GUARDIAN PROBES & TRANSDUCERS

for Refrigeration Control & Monitoring

Technical Specifications Manual

The following probes and transducers are recommended for use with GUARDIAN Control and Monitoring systems. All transducers have proved suitable for their intended refrigeration control environment worldwide and have been installed in numerous industrial and supermarket applications over several years

GUARDIAN
Tel. +44 (0) 1270 760599
Fax. +44 (0) 1270 766804
Email: sales@Guardian-controls.com
www.Guardian-controls.com

Contents

GUARDIAN	1
PROBES & TRANSDUCERS.....	1
TRANSDUCER COMPARISON	3
PRESSURE TRANSDUCER MT0115 & MT0116.....	4
4/20 mA Pressure Transducer Conversion Table (-1 to 24 Bar).....	5
4/20 mA Pressure Transducer Conversion Table (-1 to 8 Bar).....	6
THERMISTOR PROBES (low temperature) MT0400 MT0401 MT0409	7
FOOD SIMULANT PROBE (low temperature) MT0470	8
RESISTANCE / TEMPERATURE DATA for .LOW RANGE THERMISTORS	9
THERMISTOR PROBES (high temperature) MT0402	10
RESISTANCE / TEMPERATURE DATA for HIGH RANGE THERMISTORS.....	11
RESISTANCE THERMOMETERS MT0200, MT0201	12
RESISTANCE / TEMPERATURE DATA FOR PT 1000 SENSORS	13
CURRENT TRANSDUCER MT0300.....	14
CURRENT TRANSFORMER MT0311	14
KILOWATT HOUR AND PHASE FAILURE UNIT MT0350.....	15
RELATIVE HUMIDITY TRANSMITTERS MT0500, MT0501	16
XENON ALRM BEACON MG220	17

TRANSDUCER COMPARISON

Part No.	Type	Range	Use
MT0106	Pressure 4-20mA	-1/24Bar(G)	Refrigerant Pressure ¼" BSP 2Metre
MT0200	PT 1000	-50/+120 C	Temperature Probe ¼" BSP 40mm
MT0201	PT 1000	-50/+120 C	Temperature Probe ¼" BSP 112mm
MT0300	Current	0-5 AMP	Current Transducer RCC/SCC
MT0311	Current	0-300 AMP	Current Transformer RCC/SCC R=300:5
MT0350	KWHR	100-5 AMP	KWHR & Phase Fail Unit
MT0400	2252ohm @25C	-40/50 C	Temperature Air Probe 6Metre
MT0401	2252ohm @25C	-40/50 C	Temperature Pipe Probe 6Metre
MT0402	22000ohm @25C	0/+150 C	High Temperature Air Probe 6Metre
MT0409	2252ohm @25C	-40/50 C	Temperature Air Probe 8Metre
MT0420	PT 1000	-50/+120 C	Temperature Air Probe 6Metre
MT0470	2252ohm @25C	-40/50 C	Temperature Food Simulant 6Metre
MT0500	Humidity 4-20mA	10/90% RH	Humidity Duct 220mm
MT0501	Humidity 4-20mA	10/90% RH	Humidity Wall

PRESSURE TRANSDUCER MT0115 & MT0116

The **MT0115** is a universal, -1.0 to 8.0 bar gauge Pressure Transducer which may be used in conjunction with 636,1287, RCC12, RCC14, RCC20 and IPC controllers.

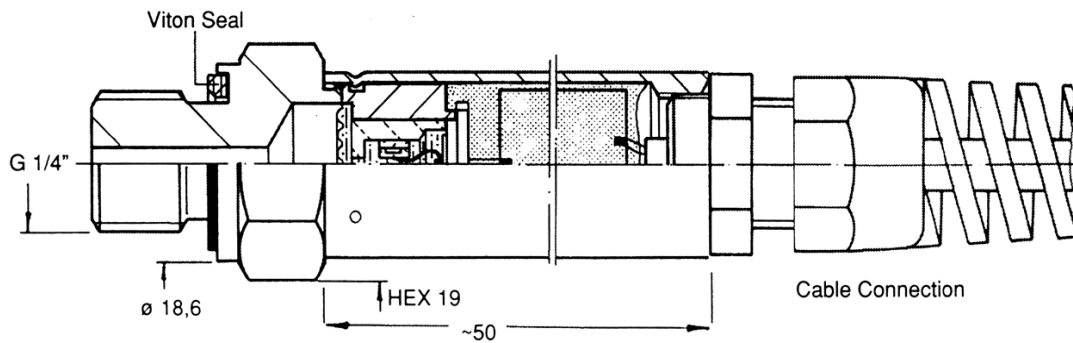
The **MT0116** is a universal, -1.0 to 24.0 bar gauge Pressure Transducer which may be used in conjunction with 636,1287, RCC12, RCC14, RCC20, RCC40, SCC40 and IPC controllers.

Note SCC40 & RCC40 controllers ONLY use -1 to 24 bar transducers.

The transducers provide accurate measurement and control of suction, discharge, oil, filter and pump pressures in plantrooms for both Freon and Ammonia compressor and condenser systems.

TECHNICAL SPECIFICATION

Range	MT0115	-1..8 bar (Gauge)
Range	MT0116	-1..24 bar (Gauge)
Signal Output		4..20 mA
Supply Voltage		8..28 Vdc
Zero/Span Tolerance		1% FS
Temperature		-20...+80 C
Configuration	2 Wire	
Electrical Connection	Out/Gnd	WHITE
	+ Supply	BROWN
Cable	2 Core Screened Length = 2M	
Pressure Port	G 1/4 male parallel to ISO 228 (1/4"BSP)	
Pressure Media	Compatible with 316L stainless steel	



4/20 mA Pressure Transducer Conversion Table (-1 to 24 Bar)

Bar	mA	Bar	mA	Bar	mA	Bar	mA	Bar	mA
-1.0	4.000	4.0	7.200	9.0	10.400	14.0	13.600	19.0	16.800
-0.9	4.064	4.1	7.264	9.1	10.464	14.1	13.664	19.1	16.864
-0.8	4.128	4.2	7.328	9.2	10.528	14.2	13.728	19.2	16.928
-0.7	4.192	4.3	7.392	9.3	10.592	14.3	13.792	19.3	16.992
-0.6	4.256	4.4	7.456	9.4	10.656	14.4	13.856	19.4	17.056
-0.5	4.320	4.5	7.520	9.5	10.720	14.5	13.920	19.5	17.120
-0.4	4.384	4.6	7.584	9.6	10.784	14.6	13.984	19.6	17.184
-0.3	4.448	4.7	7.648	9.7	10.848	14.7	14.048	19.7	17.248
-0.2	4.512	4.8	7.712	9.8	10.912	14.8	14.112	19.8	17.312
-0.1	4.576	4.9	7.776	9.9	10.976	14.9	14.176	19.9	17.376
0.0	4.640	5.0	7.840	10.0	11.040	15.0	14.240	20.0	17.440
0.1	4.704	5.1	7.904	10.1	11.104	15.1	14.304	20.1	17.504
0.2	4.768	5.2	7.968	10.2	11.168	15.2	14.368	20.2	17.568
0.3	4.832	5.3	8.032	10.3	11.232	15.3	14.432	20.3	17.632
0.4	4.896	5.4	8.096	10.4	11.296	15.4	14.496	20.4	17.696
0.5	4.960	5.5	8.160	10.5	11.360	15.5	14.560	20.5	17.760
0.6	5.024	5.6	8.224	10.6	11.424	15.6	14.624	20.6	17.824
0.7	5.088	5.7	8.288	10.7	11.488	15.7	14.688	20.7	17.888
0.8	5.152	5.8	8.352	10.8	11.552	15.8	14.752	20.8	17.952
0.9	5.216	5.9	8.416	10.9	11.616	15.9	14.816	20.9	18.016
1.0	5.280	6.0	8.480	11.0	11.680	16.0	14.880	21.0	18.080
1.1	5.344	6.1	8.544	11.1	11.744	16.1	14.944	21.1	18.144
1.2	5.408	6.2	8.608	11.2	11.808	16.2	15.008	21.2	18.208
1.3	5.472	6.3	8.672	11.3	11.872	16.3	15.072	21.3	18.272
1.4	5.536	6.4	8.736	11.4	11.936	16.4	15.136	21.4	18.336
1.5	5.600	6.5	8.800	11.5	12.000	16.5	15.200	21.5	18.400
1.6	5.664	6.6	8.864	11.6	12.064	16.6	15.264	21.6	18.464
1.7	5.728	6.7	8.928	11.7	12.128	16.7	15.328	21.7	18.528
1.8	5.792	6.8	8.992	11.8	12.192	16.8	15.392	21.8	18.592
1.9	5.856	6.9	9.056	11.9	12.256	16.9	15.456	21.9	18.656
2.0	5.920	7.0	9.120	12.0	12.320	17.0	15.520	22.0	18.720
2.1	5.984	7.1	9.184	12.1	12.384	17.1	15.584	22.1	18.784
2.2	6.048	7.2	9.248	12.2	12.448	17.2	15.648	22.2	18.848
2.3	6.112	7.3	9.312	12.3	12.512	17.3	15.712	22.3	18.912
2.4	6.176	7.4	9.376	12.4	12.576	17.4	15.776	22.4	18.976
2.5	6.240	7.5	9.440	12.5	12.640	17.5	15.840	22.5	19.040
2.6	6.304	7.6	9.504	12.6	12.704	17.6	15.904	22.6	19.104
2.7	6.368	7.7	9.568	12.7	12.768	17.7	15.968	22.7	19.168
2.8	6.432	7.8	9.632	12.8	12.832	17.8	16.032	22.8	19.232
2.9	6.496	7.9	9.696	12.9	12.896	17.9	16.096	22.9	19.296
3.0	6.560	8.0	9.760	13.0	12.960	18.0	16.160	23.0	19.360
3.1	6.624	8.1	9.824	13.1	13.024	18.1	16.224	23.1	19.424
3.2	6.688	8.2	9.888	13.2	13.088	18.2	16.288	23.2	19.488
3.3	6.752	8.3	9.952	13.3	13.152	18.3	16.352	23.3	19.552
3.4	6.816	8.4	10.016	13.4	13.216	18.4	16.416	23.4	19.616
3.5	6.880	8.5	10.080	13.5	13.280	18.5	16.480	23.5	19.680
3.6	6.944	8.6	10.144	13.6	13.344	18.6	16.544	23.6	19.744
3.7	7.008	8.7	10.208	13.7	13.408	18.7	16.608	23.7	19.808
3.8	7.072	8.8	10.272	13.8	13.472	18.8	16.672	23.8	19.872
3.9	7.136	8.9	10.336	13.9	13.536	18.9	16.736	23.9	19.936
4.0	7.200	9.0	10.400	14.0	13.600	19.0	16.800	24.0	20.000

4/20 mA Pressure Transducer Conversion Table (-1 to 8 Bar)

Bar	mA	Bar	mA
-1.0	4.000	4.0	12.889
-0.9	4.178	4.1	13.067
-0.8	4.356	4.2	13.244
-0.7	4.533	4.3	13.422
-0.6	4.711	4.4	13.600
-0.5	4.889	4.5	13.778
-0.4	5.067	4.6	13.956
-0.3	5.244	4.7	14.133
-0.2	5.422	4.8	14.311
-0.1	5.600	4.9	14.489
0.0	5.778	5.0	14.667
0.1	5.956	5.1	14.844
0.2	6.133	5.2	15.022
0.3	6.311	5.3	15.200
0.4	6.489	5.4	15.378
0.5	6.667	5.5	15.556
0.6	6.844	5.6	15.733
0.7	7.022	5.7	15.911
0.8	7.200	5.8	16.089
0.9	7.378	5.9	16.267
1.0	7.556	6.0	16.444
1.1	7.733	6.1	16.622
1.2	7.911	6.2	16.800
1.3	8.089	6.3	16.978
1.4	8.267	6.4	17.156
1.5	8.444	6.5	17.333
1.6	8.622	6.6	17.511
1.7	8.800	6.7	17.689
1.8	8.978	6.8	17.867
1.9	9.156	6.9	18.044
2.0	9.333	7.0	18.222
2.1	9.511	7.1	18.400
2.2	9.689	7.2	18.578
2.3	9.867	7.3	18.756
2.4	10.044	7.4	18.933
2.5	10.222	7.5	19.111
2.6	10.400	7.6	19.289
2.7	10.578	7.7	19.467
2.8	10.756	7.8	19.644
2.9	10.933	7.9	19.822
3.0	11.111	8.0	20.000
3.1	11.289		
3.2	11.467		
3.3	11.644		
3.4	11.822		
3.5	12.000		
3.6	12.178		
3.7	12.356		
3.8	12.533		
3.9	12.711		
4.0	12.889		

THERMISTOR PROBES (low temperature) MT0400 MT0401 MT0409

MT0400, MT0401, MT0409 are low refrigeration temperature thermistors (-40 to +50C) which may be used in conjunction with all GUARDIAN 1289, RCU, RCC, HVAC and IPC controllers.

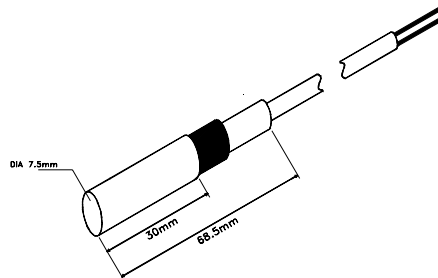
They provide measurement and control of ambient air, display case and cooler discharge , return and coil temperatures for both Freon and Ammonia systems.

MT0400 is the standard 6-metre air probe . MT0409 is an 8-metre air probe
 MT0401 is a pipe probe which is designed for coil in and coil out superheat measurement and control.

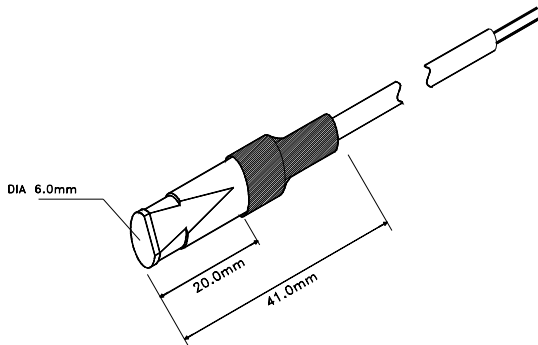
TECHNICAL SPECIFICATION

Nominal Resistance	2252 ohm at 25°C NTC
Element	0.2°C accuracy traceable to NPL
Temperature	-40°C...+50°C
Configuration	2 Wire
Electrical Connection Core 1 Red	Core 2 Blue
Cable	2 Core double insulated 7 x 0.2 mm
	Length 6 m MT0400,MT0401
	Length 8 m MT0409
Fixing	Cable tie to pipe MT0401

MT400, MT409 AIR PROBE



MT401, PIPE PROBE



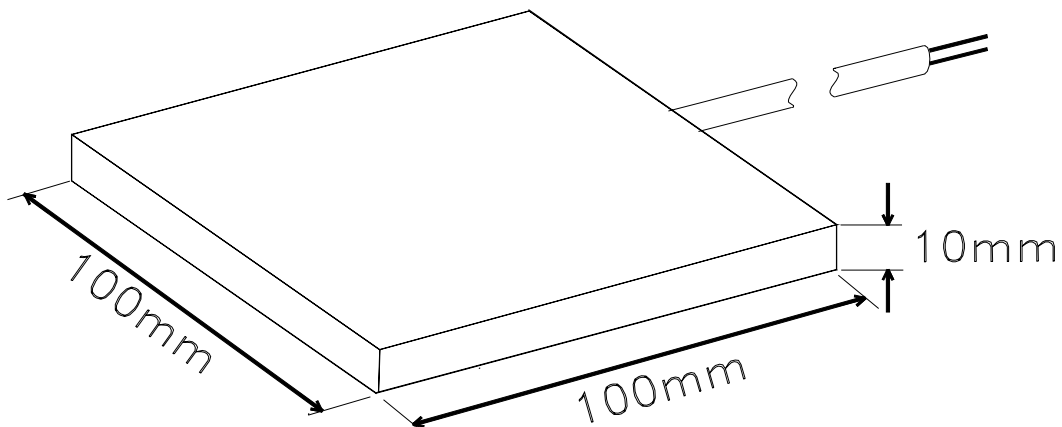
FOOD SIMULANT PROBE (low temperature) MT0470

MT0470 probes contain low refrigeration temperature thermistors (-40 to +50C) and may be used in conjunction with all GUARDIAN 1289, RCU, and IPC controllers.

They provide approximate measurement of product core temperature by simulating the temperature response of a typical product (a packet of ham) MT0470 is supplied with a standard 6-metre cable and is normally mounted on the display cabinet shelf by double sided adhesive tape

TECHNICAL SPECIFICATION

Nominal Resistance	2252 ohm at 25°C NTC
Element	0.2°C accuracy traceable to NPL
Temperature	-40°C...+50°C
Configuration	2 Wire
Electrical Connection	Core 1 Red Core 2 Blue
Cable	2 Core double insulated 7 x 0.2 mm Length 6 m
Fixing	Double sided adhesive tape



RESISTANCE / TEMPERATURE DATA for .LOW RANGE THERMISTORS

PROBETYPES MT0400 / MT0401 / MTO409 / MT0470 (TP22)

Deg C	ohm	Deg C	ohm
50	811		
49	843	-1	7742
48	876	-2	8152
47	910	-3	8585
46	946	-4	9044
45	984	-5	9535
44	1023	-6	10053
43	1064	-7	10602
42	1108	-8	11183
41	1153	-9	11805
40	1199	-10	12463
39	1249	-11	13165
38	1301	-12	13908
37	1355	-13	14697
36	1412	-14	15539
35	1471	-15	16435
34	1533	-16	17390
33	1598	-17	18403
32	1667	-18	19489
31	1739	-19	20642
30	1815	-20	21871
29	1893	-21	23173
28	1977	-22	24569
27	2064	-23	26078
26	2156	-24	27677
25	2252	-25	29366
24	2353	-26	31190
23	2459	-27	33149
22	2572	-28	35244
21	2689	-29	37473
20	2813	-30	39860
19	2943	-31	42428
18	3081	-32	45175
17	3225	-33	48148
16	3378	-34	51301
15	3538	-35	54679
14	3707	-36	58327
13	3887	-37	62245
12	4074	-38	66434
11	4272	-39	70938
10	4481	-40	75802
9	4702	-41	-----
8	4936	-42	-----
7	5184	-43	-----
6	5445	-44	-----
5	5720	-45	-----
4	6053	-46	-----
3	6319	-47	-----
2	6643	-48	-----
1	6990	-49	-----
0	7355	-50	-----

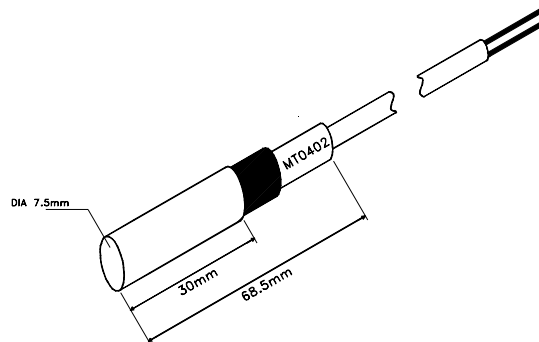
THERMISTOR PROBES (high temperature) MT0402

MT0402 is a high refrigeration temperature thermistor (0 to +150C) .which may be used in conjunction with GUARDIAN RCU12 and RCC20 controllers.
It is normally used to provide measurement of compressor discharge temperatures

TECHNICAL SPECIFICATION

Nominal Resistance	22000 ohm at 25°C NTC
Element	0.2°C accuracy traceable to NPL
Temperature	0°C...+150°C
Configuration	2 Wire
Electrical Connection	Core 1 Red Core 2 Blue
Cable for	Cables are marked with a special white band easy identification 2 Core double insulated 7 x 0.2 mm Length 6 m
Fixing	none

MT402 High Temperature Thermistor probe



RESISTANCE / TEMPERATURE DATA for HIGH RANGE THERMISTORS

PROBE TYPE MT0402

Deg C	ohm	Deg C	ohm	Deg C	ohm	Deg C	ohm
150	408						
149	417	99	1540	49	8232	-1	75636
148	427	98	1586	48	8554	-2	79640
147	437	97	1634	47	8890	-3	83864
146	447	96	1683	46	9242	-4	88374
145	458	95	1734	45	9610	-5	93148
144	469	94	1787	44	9995	-6	98208
143	480	93	1842	43	10395	-7	103576
142	492	92	1899	42	10815	-8	109274
141	504	91	1957	41	11255	-9	115324
140	516	90	2018	40	11717	-10	121748
139	529	89	2081	39	12199	-11	128590
138	542	88	2147	38	12703	-12	135850
137	555	87	2215	37	13233	-13	143572
136	569	86	2286	36	13787	-14	151800
135	583	85	2358	35	14368	-15	160556
134	598	84	2433	34	14978	-16	169884
133	613	83	2512	33	15616	-17	179806
132	629	82	2594	32	16284	-18	190388
131	645	81	2680	31	16886	-19	201652
130	661	80	2768	30	17723	-20	213686
129	678	79	2858	29	18498	-21	226600
128	696	78	2952	28	19309	-22	240240
127	714	77	3051	27	20163	-23	254760
126	732	76	3153	26	21058	-24	-----
125	752	75	3260	25	22000	-25	-----
124	771	74	3370	24	22990	-26	-----
123	792	73	3485	23	24024	-27	-----
122	813	72	3604	22	25124	-28	-----
121	834	71	3729	21	26268	-29	-----
120	857	70	3857	20	27478	-30	-----
119	880	69	3991	19	28754	-31	-----
118	904	68	4132	18	30096	-32	-----
117	928	67	4277	17	31504	-33	-----
116	954	66	4426	16	33000	-34	-----
115	980	65	4585	15	34562	-35	-----
114	1007	64	4748	14	36234	-36	-----
113	1035	63	4919	13	37972	-37	-----
112	1064	62	5097	12	39798	-38	-----
111	1093	61	5282	11	41734	-39	-----
110	1124	60	5476	10	43780	-40	-----
109	1156	59	5676	9	45958	-41	-----
108	1189	58	5885	8	48224	-42	-----
107	1223	57	6105	7	50644	-43	-----
106	1258	56	6332	6	53196	-44	-----
105	1294	55	6571	5	55880	-45	-----
104	1332	54	6818	4	58718	-46	-----
103	1371	53	7077	3	61732	-47	-----
102	1411	52	7384	2	64922	-48	-----
101	1452	51	7630	1	68288	-49	-----
100	1496	50	7924	0	71852	-50	-----

RESISTANCE THERMOMETERS MT0200, MT0201

MT0200, MT201 are PT1000 refrigeration temperature resistance thermometers with range (-50 to +150C) .for use in conjunction with GUARDIAN RCC30/40 and SCC30/40 controllers.

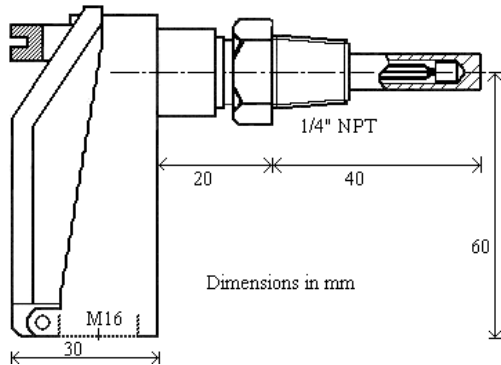
They provide measurement and control of suction, discharge and oil temperatures for both Freon and Ammonia compressor systems.

MT201 is normally used to measure suction temperatures inside large diameter pipes.

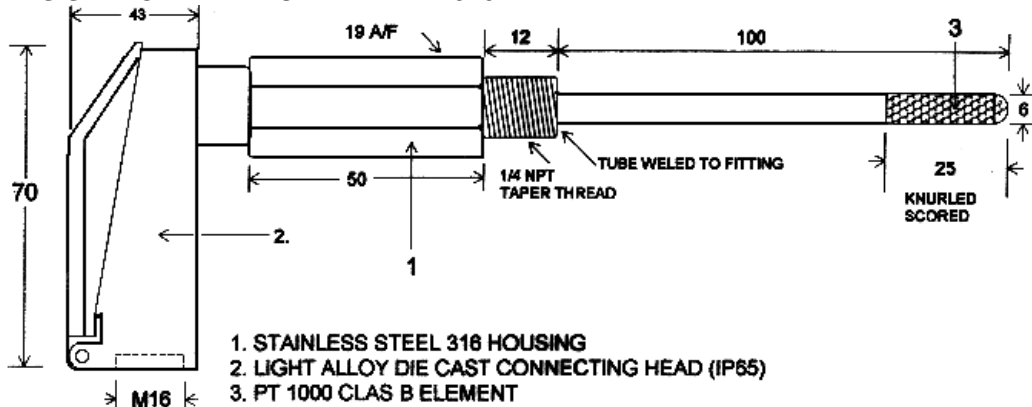
TECHNICAL SPECIFICATION

Nominal Resistance	1000 ohm at 0° C
Element	GRD B to BS 1904
Temperature	-50°...+150° C
Configuration	3 Wire
Electrical Connection	Common 1 RED Common 2 RED Signal WHITE
Cable	Use 3 Core Screened Min 7-0.2 mm
Cable Entry	Use M16 Gland
Temperature Port	1¼" NPT
Temperature Media	Compatible with 316L stainless steel

RESISTANCE THERMOMETER MT0200



RESISTANCE THERMOMETER MT0201



RESISTANCE / TEMPERATURE DATA FOR **PT 1000** SENSORS**PROBE TYPES MTO200 / MTO201 / MT0420**

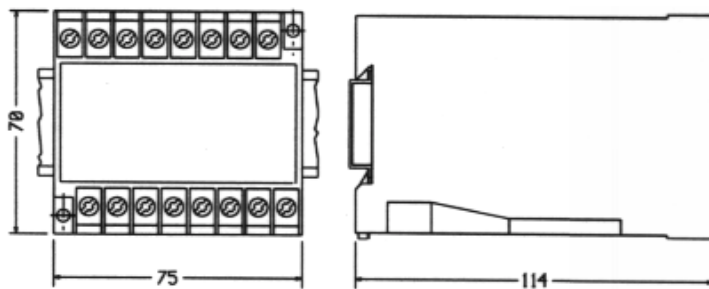
Deg C	ohm	Deg C	ohm	Deg C	ohm	Deg C	ohm
150	1573.3						
149	1569.5	99	1381.3	49	1190.1	-1	996.1
148	1565.8	98	1377.5	48	1186.3	-2	992.2
147	1562.0	97	1373.7	47	1182.4	-3	988.3
146	1558.3	96	1369.9	46	1178.5	-4	984.4
145	1554.6	95	1366.1	45	1174.7	-5	980.4
144	1550.8	94	1362.3	44	1170.8	-6	976.5
143	1547.1	93	1358.5	43	1167.0	-7	972.6
142	1543.3	92	1354.7	42	1163.1	-8	968.7
141	1539.6	91	1350.9	41	1159.3	-9	964.8
140	1535.8	90	1347.1	40	1155.4	-10	960.9
139	1532.1	89	1343.3	39	1151.5	-11	956.9
138	1528.3	88	1339.5	38	1147.7	-12	953.0
137	1524.6	87	1335.7	37	1143.8	-13	949.1
136	1520.8	86	1331.8	36	1139.9	-14	945.2
135	1517.1	85	1328.0	35	1136.1	-15	941.2
134	1513.3	84	1324.2	34	1132.2	-16	937.3
133	1509.6	83	1320.4	33	1128.3	-17	933.4
132	1505.8	82	1316.6	32	1124.5	-18	929.5
131	1502.1	81	1312.8	31	1120.6	-19	925.5
130	1498.3	80	1309.0	30	1117.7	-20	921.6
129	1494.6	79	1305.2	29	1112.8	-21	917.7
128	1490.8	78	1301.3	28	1109.0	-22	913.7
127	1487.0	77	1297.5	27	1105.1	-23	909.8
126	1483.3	76	1293.7	26	1101.2	-24	905.9
125	1479.5	75	1289.9	25	1097.3	-25	901.9
124	1475.7	74	1286.1	24	1093.5	-26	898.0
123	1472.0	73	1282.2	23	1089.6	-27	894.0
122	1468.2	72	1278.4	22	1085.7	-28	890.1
121	1464.4	71	1274.6	21	1081.8	-29	886.2
120	1460.7	70	1270.8	20	1077.9	-30	882.2
119	1456.9	69	1266.9	19	1074.0	-31	878.3
118	1453.1	68	1263.1	18	1070.2	-32	874.3
117	1449.4	67	1259.3	17	1066.3	-33	870.4
116	1445.6	66	1255.4	16	1062.4	-34	866.4
115	1441.8	65	1251.6	15	1058.5	-35	862.5
114	1438.0	64	1247.8	14	1054.6	-36	858.5
113	1434.3	63	1243.9	13	1050.7	-37	854.6
112	1430.5	62	1240.1	12	1046.8	-38	850.6
111	1426.7	61	1236.3	11	1042.9	-39	846.7
110	1422.9	60	1232.4	10	1039.0	-40	842.7
109	1419.1	59	1228.6	9	1035.1	-41	838.8
108	1415.4	58	1224.7	8	1031.2	-42	835.0
107	1411.6	57	1220.9	7	1027.3	-43	830.8
106	1407.8	56	1217.1	6	1023.4	-44	826.9
105	1404.0	55	1213.2	5	1019.5	-45	822.9
104	1400.2	54	1209.4	4	1015.6	-46	818.9
103	1396.4	53	1205.5	3	1011.7	-47	815.0
102	1392.6	52	1201.7	2	1007.8	-48	811.0
101	1388.8	51	1197.8	1	1003.9	-49	807.0
100	1385.0	50	1194.0	0	1000.0	-50	803.1

CURRENT TRANSDUCER MT0300

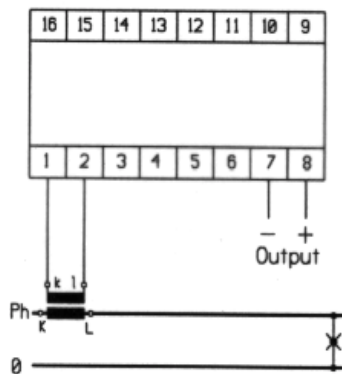
The MT0300 is a current transducer used to measure compressor motor Amps in conjunction with the RCC30/40 and SCC30/40 compressor controllers

TECHNICAL SPECIFICATION

Input (In)	0-5A, 3.5VA	Measuring Range	0-200%
Frequency Range	45-50-55Hz	Overload	2x In cont. 5x In 5 seconds
Output	0-10 vdc Class 0.5	Temperature Range	-10°C to +60°C
HV Test	2KV for 1 min	Housing	75mm
Terminal Covers	Optional Extra		



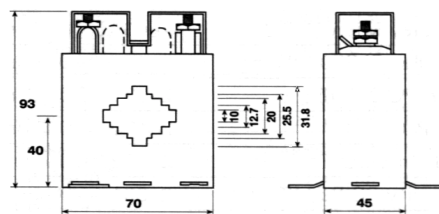
Connection



CURRENT TRANSFORMER MT0311

TECHNICAL SPECIFICATION

Input (In)	0 - 300 A	Output	0 - 5 A 2.5 VA
Frequency Range	50 - 60 Hz	Accuracy	Class 1
Ratio	300 : 5		



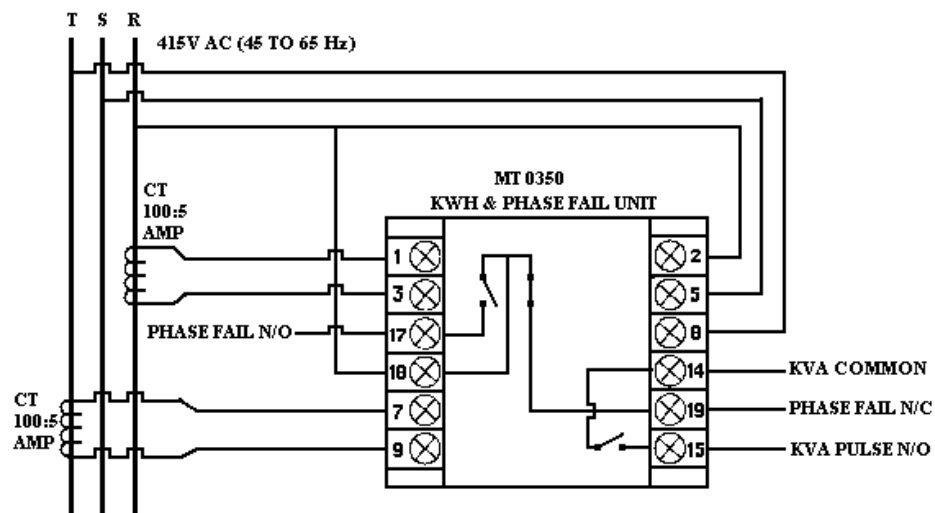
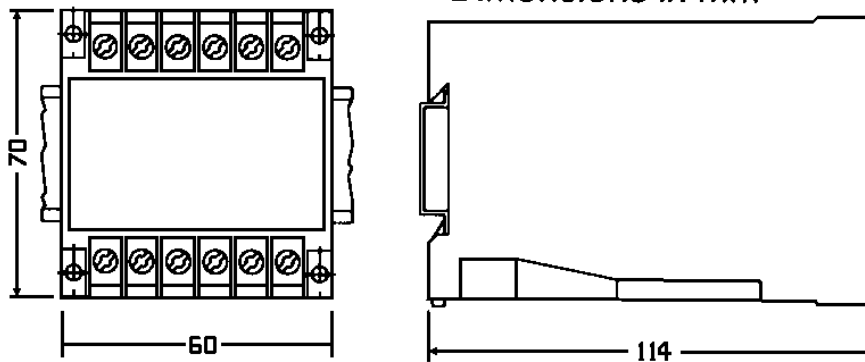
KILOWATT HOUR AND PHASE FAILURE UNIT MT0350

The MT0350 KWH transducer provides a 3 second pulse contact closure for every 0.5 Kilowatt hour measured via two 100:5AMP current transformers on the unbalanced 3-phase supply. to refrigeration and HVAC equipment. A phase fail contact is closed whenever a phase failure is detected. The unit is normally used with the RCC20 and RCC30 compressor controllers

TECHNICAL SPECIFICATION

Input (In)	2 ph 0-5A, 2.5VA
Input (Vn)	3 ph 380 – 415 Vac
Frequency Range	45-50-55Hz
Overload	2x In cont. 5x In 5 seconds
Output ph failure	Changeover relay (2A @ 240 V)
Output KwHr (using 100:5 CTs)	Normally open (2A @ 240 V) 3 Sec pulse per 0.5 Kw
Temperature Range	-10 C to +60 C
HV Test	2KV for 1 min

Dimensions in mm



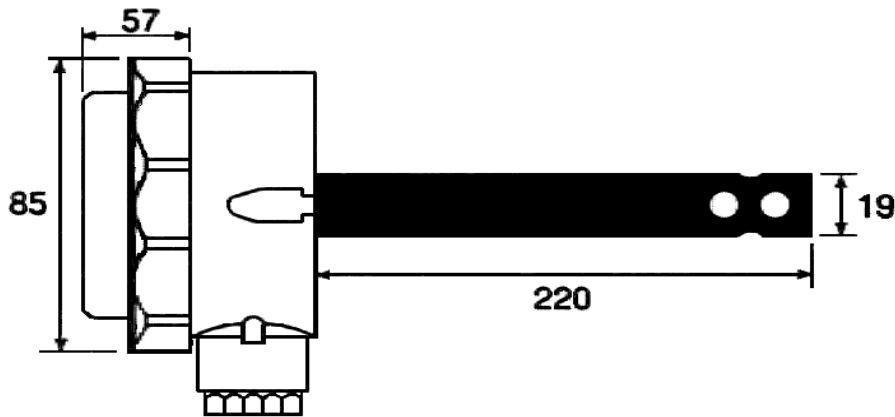
RELATIVE HUMIDITY TRANSMITTERS MT0500, MT0501

MT0500 and MT0501 are Humidity sensors normally used with HVAC and RCU14 controllers to measure coldstore or salesfloor humidity

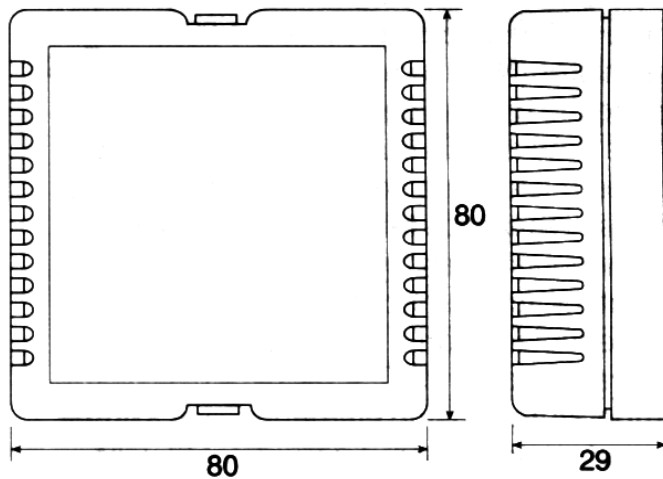
TECHNICAL SPECIFICATION

RH sensor type	Thin film capacitance
Measurement range	10 - 90% RH
Output ranges	0 - 100% RH
Output signal	4 – 20 mA
Overall accuracy	+ - 3% RH
Calibration accuracy	+ - 1% RH @ 30% and 70% RH
Hysteresis	< 1 % RH
Temperature error	< 0.05 % RH / deg C
Long term stability	Better than 2% RH pa

RELATIVE HUMIDITY TRANSMITTER (DUCT) MT0500



RELATIVE HUMIDITY TRANSMITTER (WALL) MT0501



XENON ALRM BEACON MG220

The MG0220 unit is used with GUARDIAN Autograph or Alarm monitor systems to provide a high intensity pulsed Alarm Lamp which warns onsite personnel of an unaccepted alarm condition. Beacons are normally wall mounted high up in the plantroom, salesfloor or production areas.

The unit operates from a 12vdc control signal

TECHNICAL SPECIFICATION

Electrical Connection	+ VE RED - VE BLACK
Supply	12 vdc @ 250 mA
Cable Entry	M16 Gland
Colour	Grey / Clear
Energy	1.2 J

